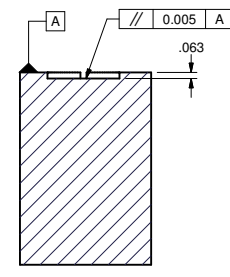
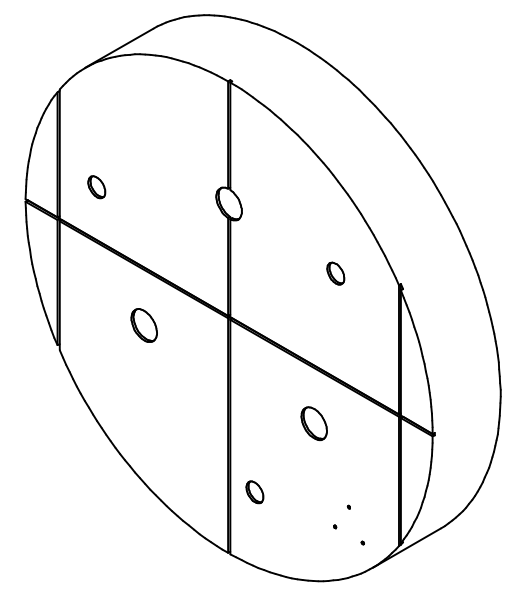
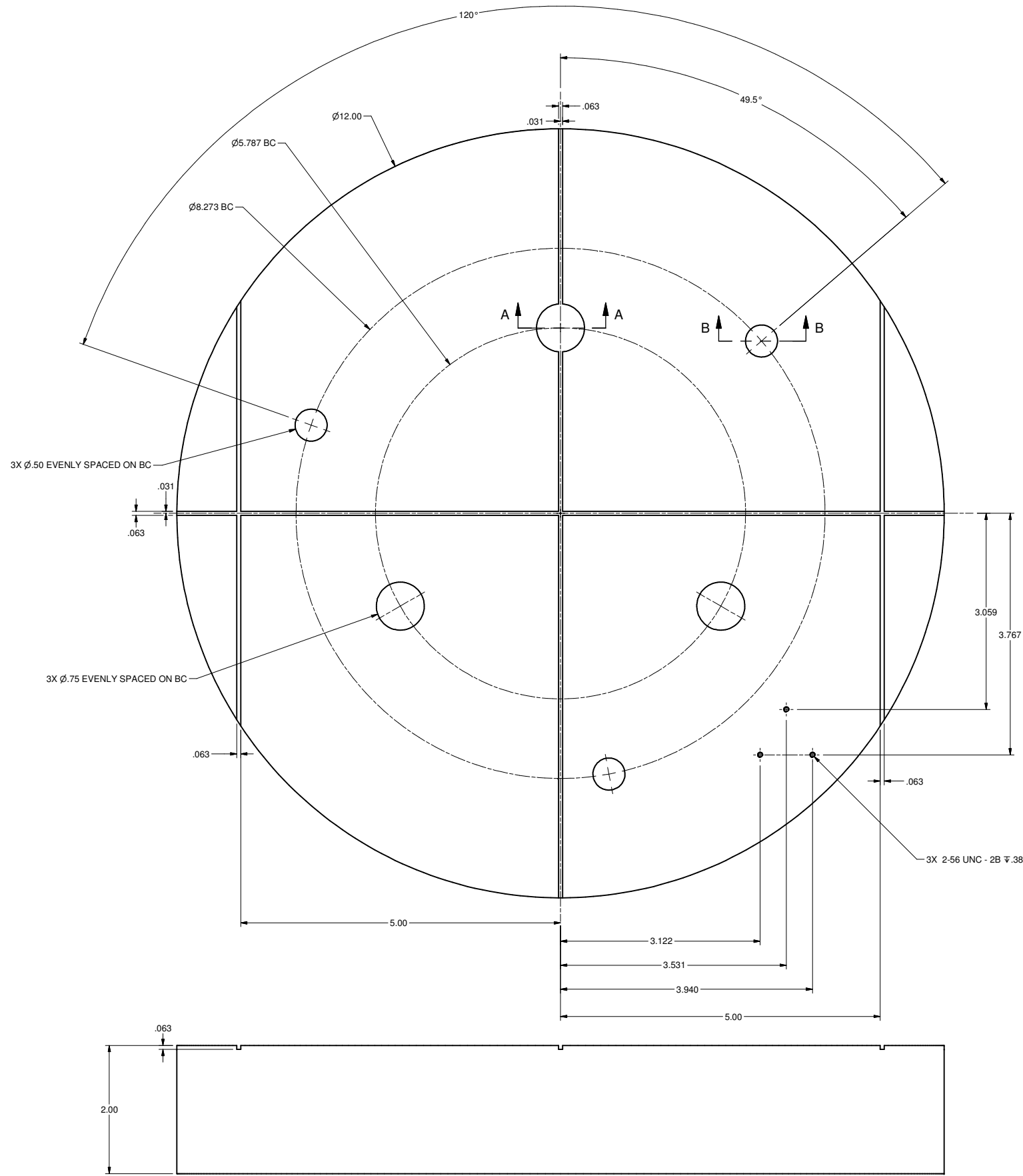
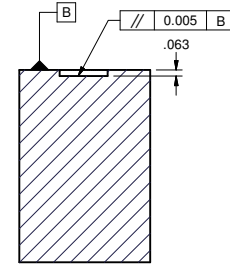


NOTES:
1 REMOVE ALL BURRS AND SHARP EDGES

REV	DATE	DRAWN BY	APPRVD BY	DESCRIPTION
A	9/19/07	B. BONNETT	B. BONNETT	CHANGED TAPPED PATTERN TO 2-56



SECTION A-A
3 PLACES



SECTION B-B
3 PLACES

UNLESS OTHERWISE SPECIFIED DIMENSIONS ARE IN INCHES		SENSOR VAULT		PASSCAL POLAR PROJECTS SOCORRO, NM 87801	
TOLERANCES - ANGLES ±	0.1°				
4 PLACE DECIMALS (.XXXX) ±					
3 PLACE DECIMALS (.XXX) ±	.005				
2 PLACE DECIMALS (.XX) ±	.01				
1 PLACE DECIMALS (.X) ±					
MATERIAL:	PHENOLIC	THERMAL ISOLATION PLATE for GURALP T3 & TRILLIUM 240		DRAWN BY B. BONNETT DATE 9/6/2007	
FINISH:				DESIGNED BY B. BONNETT DATE 9/6/2007	
				APPROVED BY B. BONNETT DATE 9/19/2007	
INVENTOR : Phenolic sensor base.idw		SHEET NUMBER 1 of 1		SCALE 1	
NEXT ASSEMBLY		DWG. TYPE		DRAWING NUMBER Phenolic sensor base	