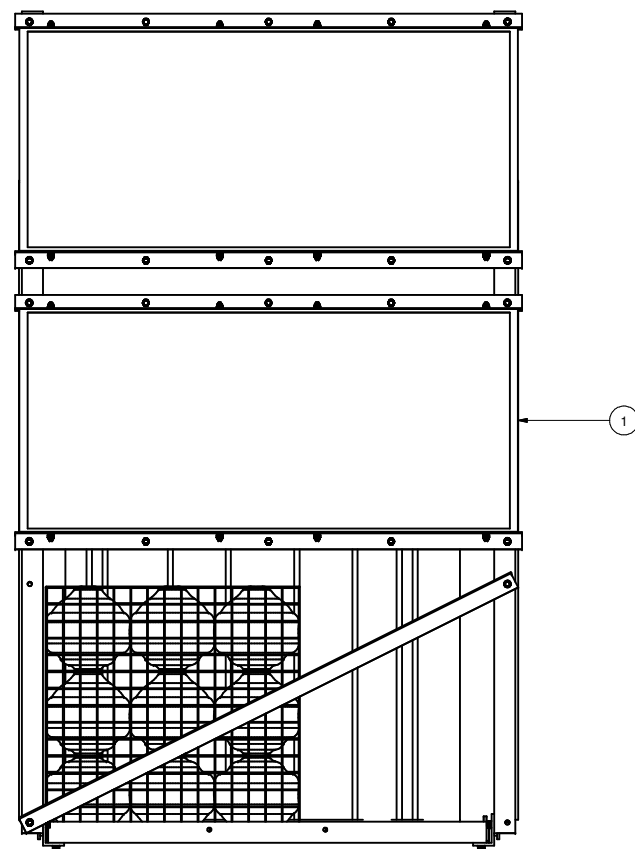
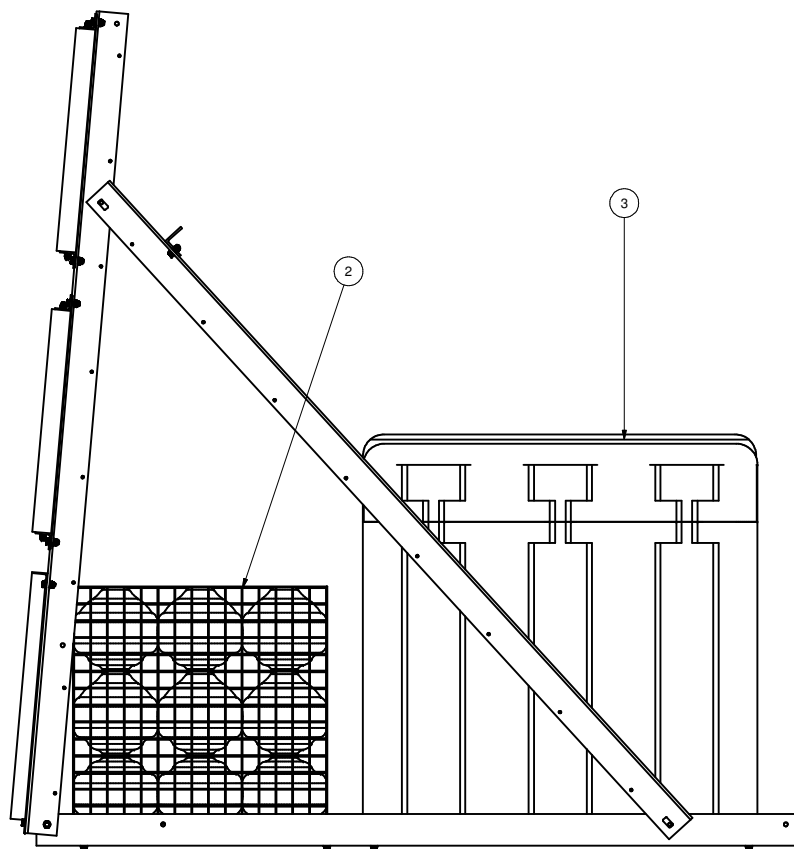


NOTES:

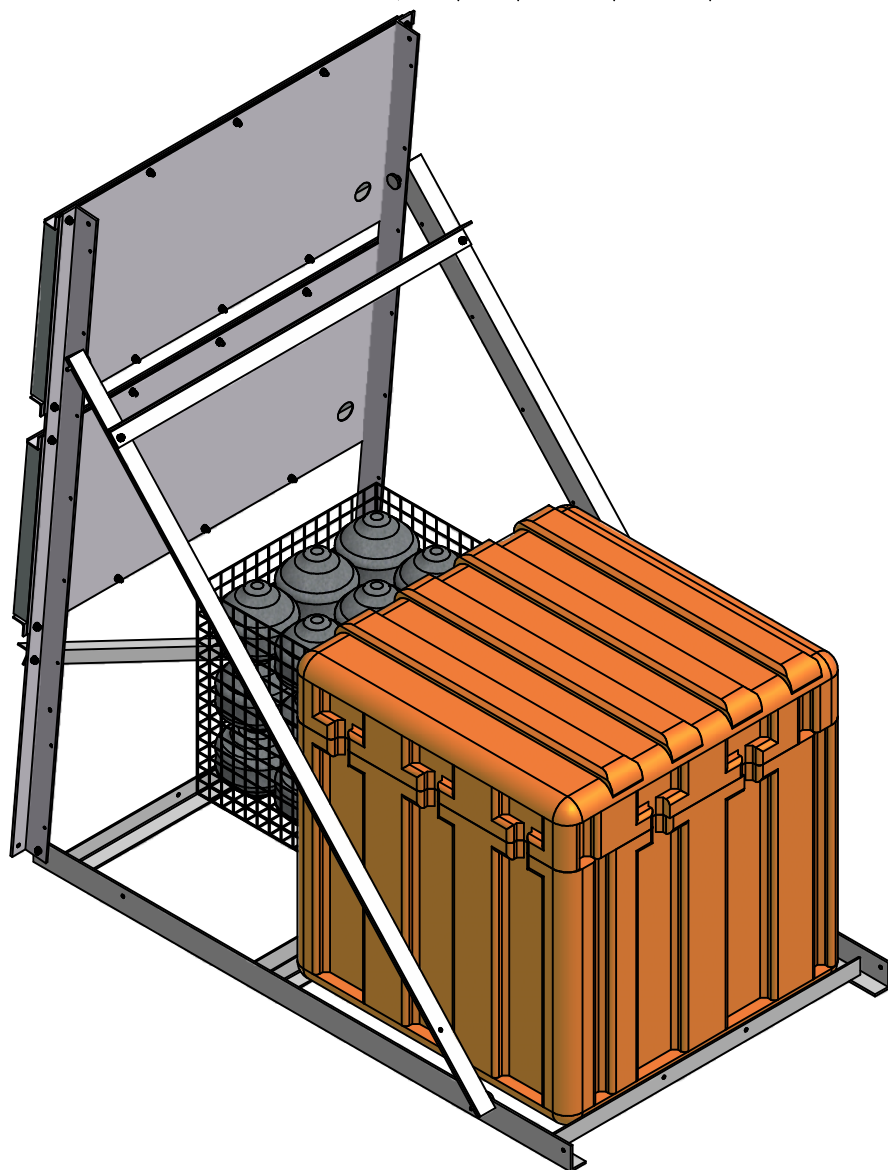
REV	DATE	DRAWN BY	APPRVD BY	DESCRIPTION



FRONT VIEW



SIDE VIEW



PRODUCED BY AN AUTODESK EDUCATIONAL PRODUCT

PRODUCED BY AN AUTODESK EDUCATIONAL PRODUCT

ITEM	MANUFACTURER	PART NUMBER	DESCRIPTION	QTY
3	Hardigg/PASSCAL	AL3433-2807	Insulated Enclosure with all Hardware and Batteries	1
2	Midwest Welded Wire Gabions	Gabion Assembly	2'x 2' x 2' Wire Mesh Basket	1
1	PASSCAL	POLENET Angle Mount	Dual Solar Panel Mount	1

UNLESS OTHERWISE SPECIFIED DIMENSIONS ARE IN INCHES		POLAR PROJECTS	
TOLERANCES - ANGLES ±	1"	PASSCAL	
4 PLACE DECIMALS (.XXXX) ±		POLAR PROJECTS	
3 PLACE DECIMALS (.XXX) ±	.005	SOCORRO, NM 87801	
2 PLACE DECIMALS (.XX) ±	.01	DRAWN BY: B. BONNETT DATE: 8/14/2007	
1 PLACE DECIMALS (.X) ±		DESIGNED BY: B. BONNETT DATE: 8/14/2007	
		APPROVED BY: B. BONNETT DATE: 10/1/2007	

INVENTOR : POLENET Rock Site Station.idw

TITLE: POLENET ROCK SITE STATION CONFIGURATION

FINISH:

SHEET NUMBER 1 of 1

SCALE 1

DWG. TYPE