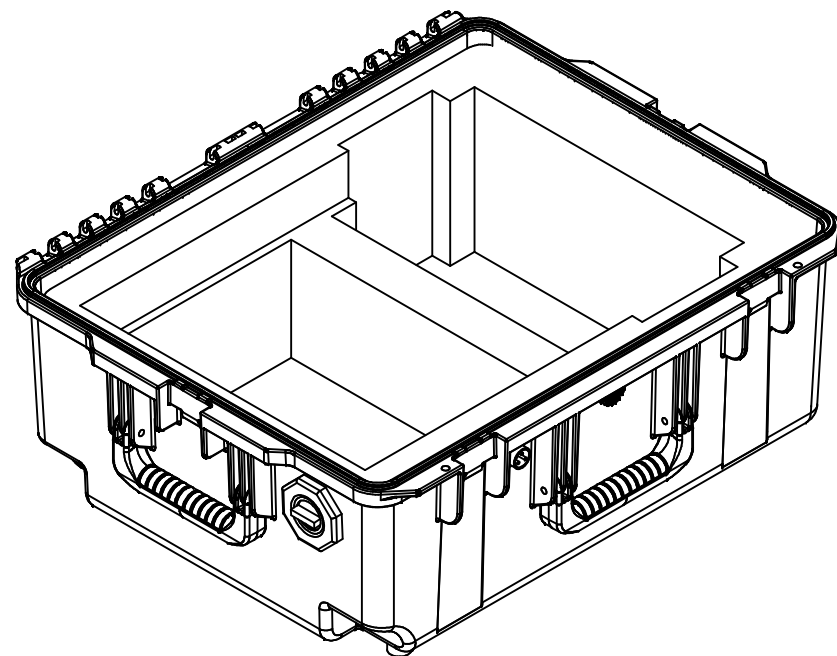
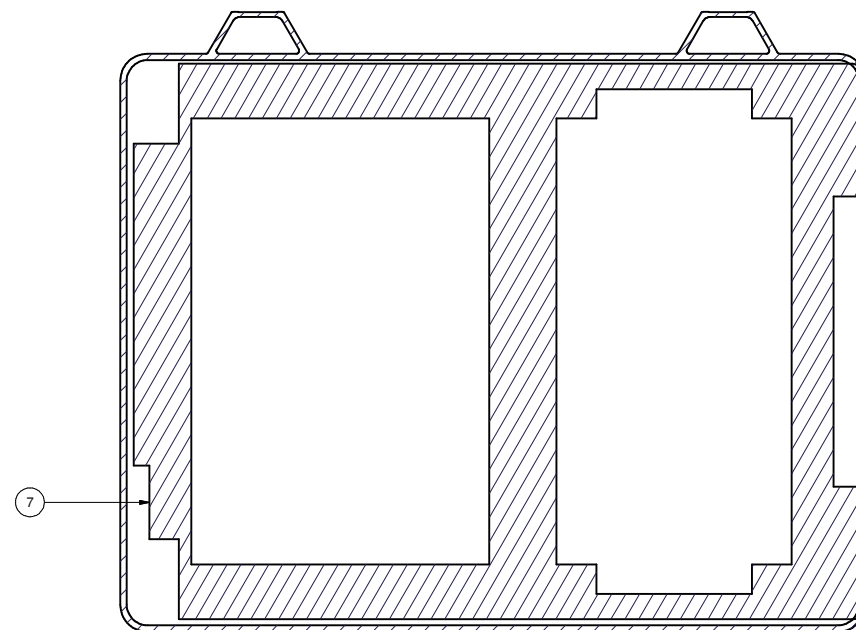


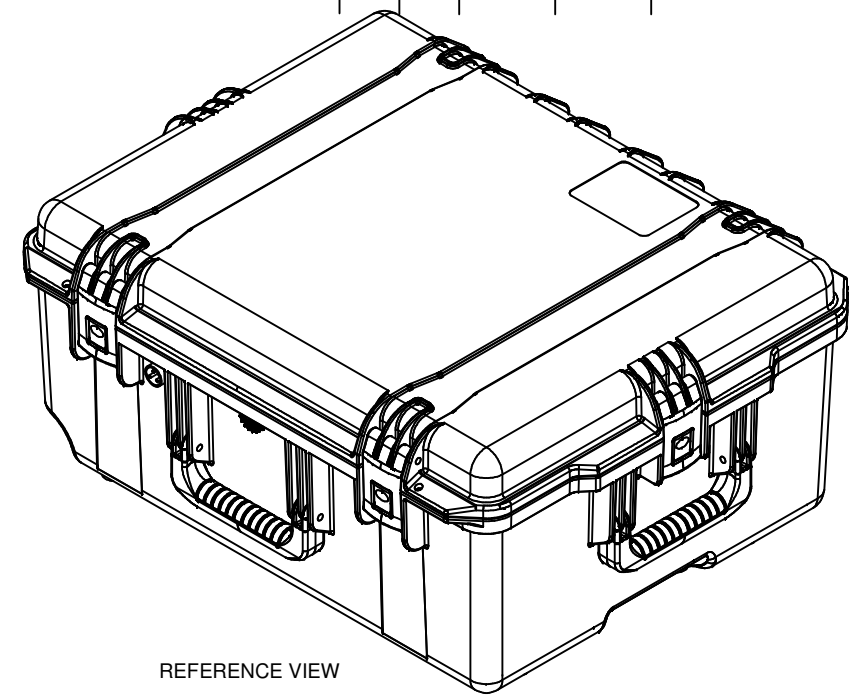
NOTES:



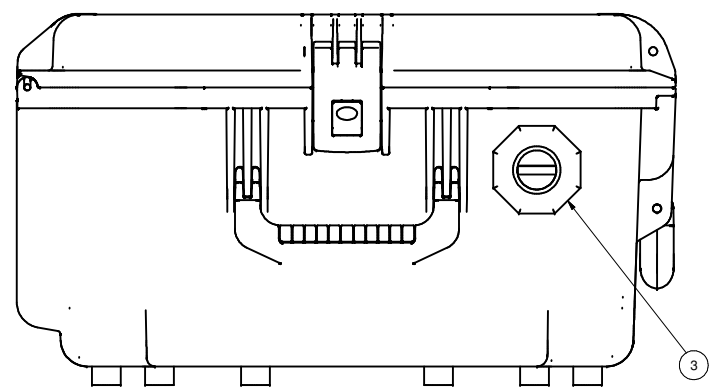
REFERENCE VIEW  
LID AND LID FOAM INSERT REMOVED



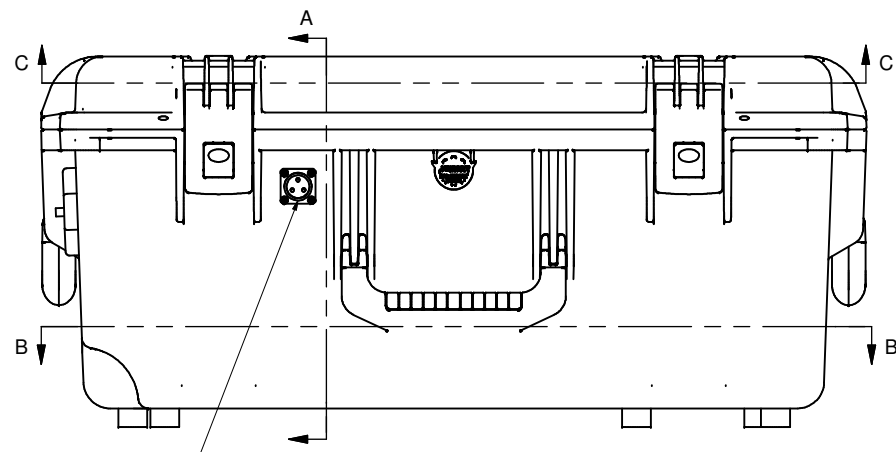
SECTION B-B



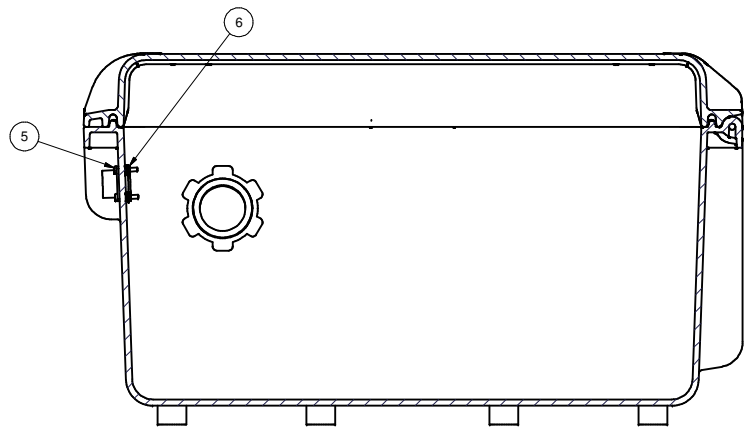
REFERENCE VIEW



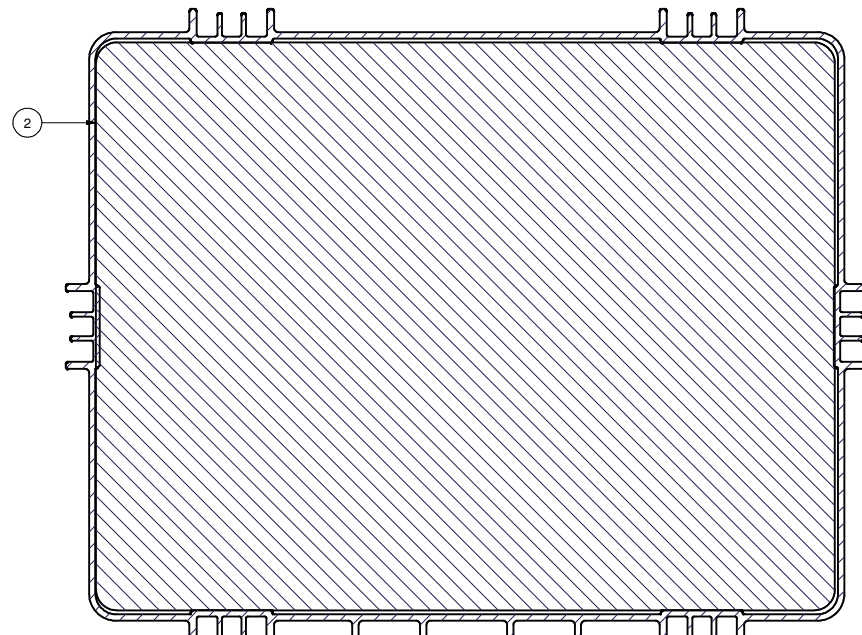
LEFT SIDE WITH EXTERNAL PORT INSTALLED



FRONT WITH PV CONNECTOR INSTALLED



SECTION A-A  
FOAM LINER AND LID INSERT NOT SHOWN



SECTION C-C

ITEM	MANUFACTURER	PART NUMBER	DESCRIPTION	QTY
7	SUPPLY ONE	080916-6G	DIE CUT FOAM LINER INSERT	1
6	McMASTER	90675A005	4-40 LOCKNUT	4
5	McMASTER	90272A112	4-40 x 5/8" PAN HEAD	4
4	AMPHENOL	PT02E12-3P	PV CONNECTOR	1
3		41215-00 REV 4	FEEDTHROUGH PORT	1
2	SUPPLY ONE	080916-6F	DIE CUT FOAM LID INSERT	1
1	HARDIGG	iM2720	STORM CASE	1

UNLESS OTHERWISE SPECIFIED DIMENSIONS ARE IN INCHES		POLAR		PASSCAL POLAR PROJECTS	
TOLERANCES - ANGLES ±	1"			SOCORRO, NM 87801	
4 PLACE DECIMALS (.XXXX) ±				DRAWN BY B. BONNETT	
3 PLACE DECIMALS (.XXX) ±	.005			DATE 9/9/2008	
2 PLACE DECIMALS (.XX) ±	.01			DESIGNED BY B. BONNETT	
1 PLACE DECIMALS (.X) ±				DATE 9/9/2008	
MATERIAL:		POLAR QDS ENCLOSURE with iM2720 MODIFICATIONS		APPROVED BY	
FINISH:				DATE	
INVENTOR : POLAR QDS ENCLOSURE.idw		SHEET NUMBER 1 of 2		SCALE 1	
NEXT ASSEMBLY		DWG. TYPE		DRAWING NUMBER POLAR QDS ENCLOSURE	

