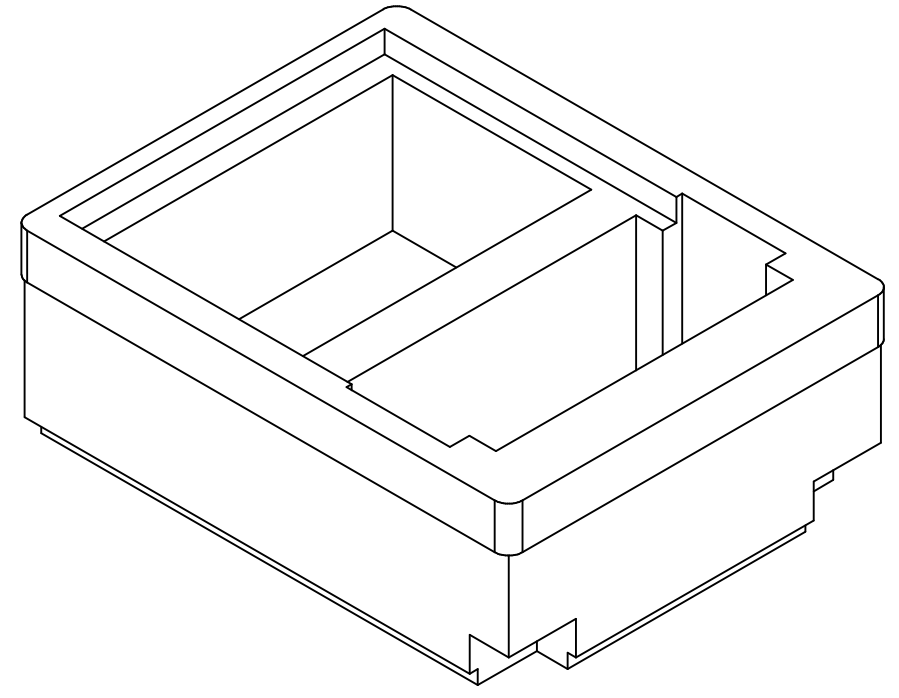
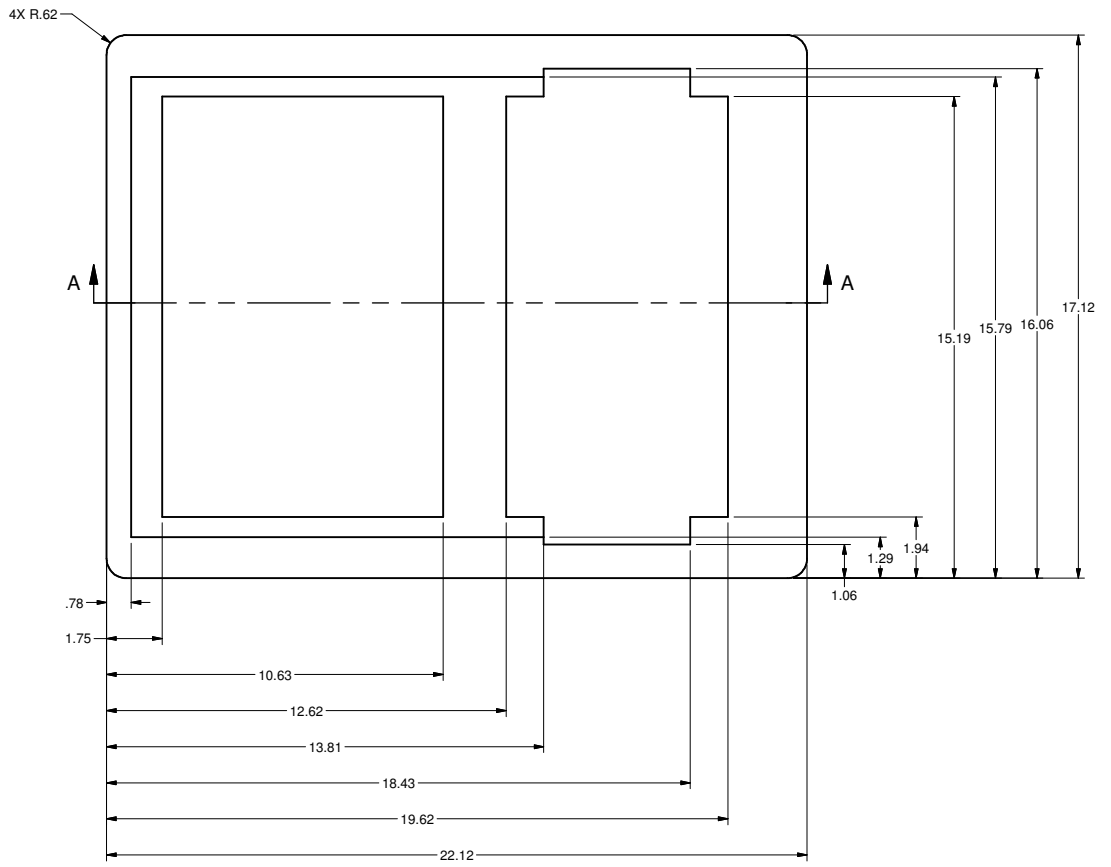
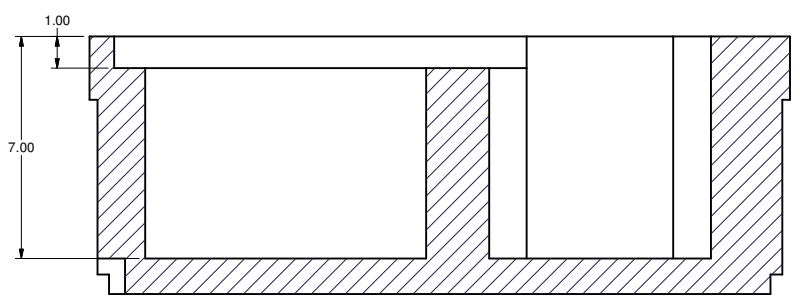
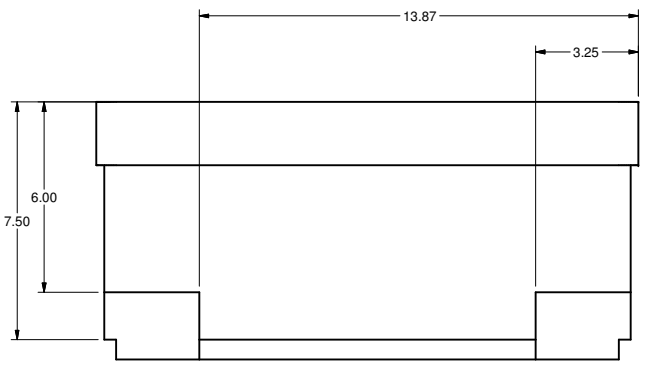
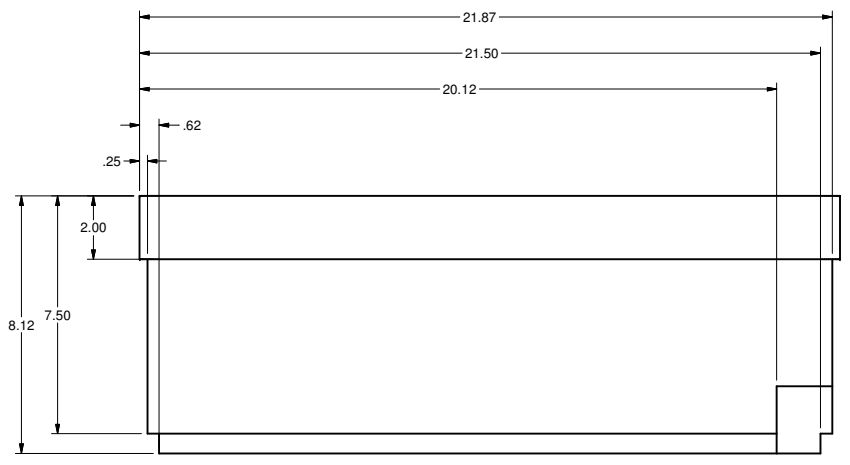
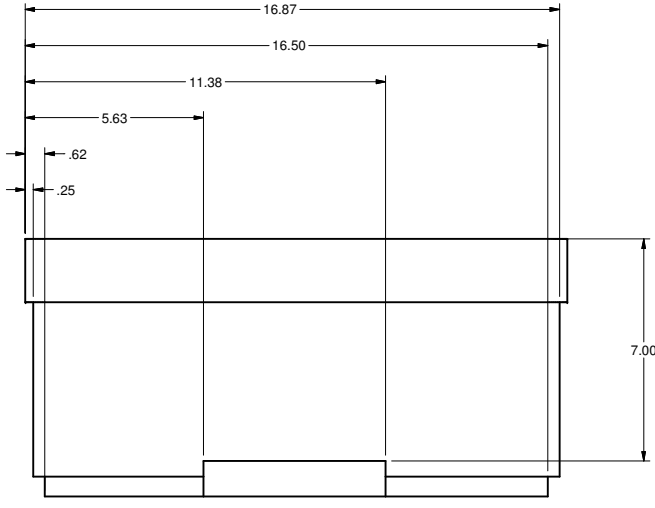


NOTES:

REV	DATE	DRAWN BY	APPRVD BY	DESCRIPTION



REFERENCE VIEW



SECTION A-A

UNLESS OTHERWISE SPECIFIED DIMENSIONS ARE IN INCHES		POLAR		PASSCAL POLAR PROJECTS	
TOLERANCES - ANGLES ±	1°	DATE		9/9/2008	
4 PLACE DECIMALS (XXXX) ±		DRAWN BY		B. BONNETT	
3 PLACE DECIMALS (XXX) ±	.005	DATE		9/9/2008	
2 PLACE DECIMALS (XX) ±	.01	DESIGNED BY		B. BONNETT	
1 PLACE DECIMALS (X) ±		APPROVED BY			
INVENTOR : im2720 Int Packing 1.idw		MATERIAL:		SHEET NUMBER 1 of 2	
FINISH:		FOR USE WITH STORM CASE IM2720		SCALE 1	
NEXT ASSEMBLY	DWG. TYPE	DRAWING NUMBER		im2720 Int Packing 1	

D

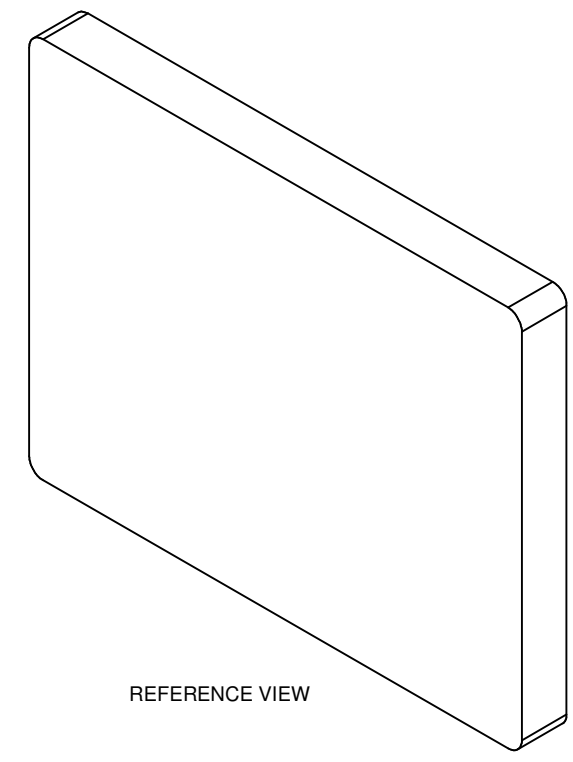
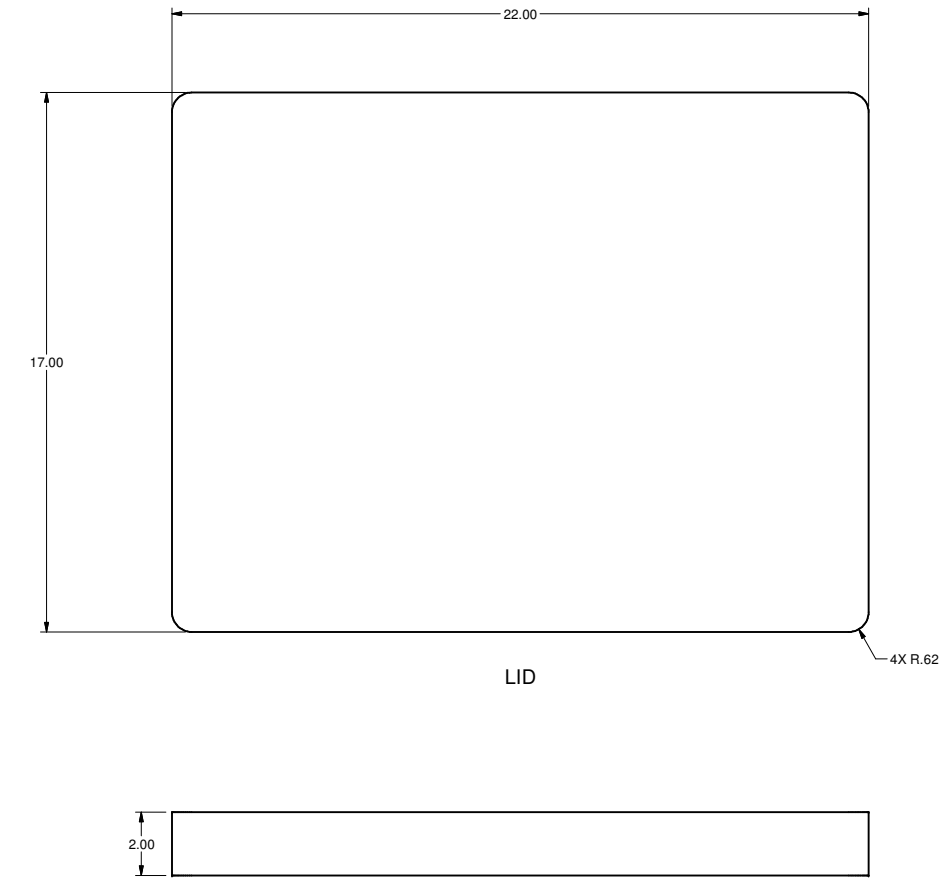
PRODUCED BY AN AUTODESK EDUCATIONAL PRODUCT

D

PRODUCED BY AN AUTODESK EDUCATIONAL PRODUCT

REV	DATE	DRAWN BY	APPRVD BY	DESCRIPTION

NOTES:



REFERENCE VIEW

A

A

INVENTOR : im2720 Int Packing 1.dwg		UNLESS OTHERWISE SPECIFIED DIMENSIONS ARE IN INCHES TOLERANCES : ANGLES : 1° 4 PLACE DECIMALS (XXXX) : + 3 PLACE DECIMALS (XXX) : .005 2 PLACE DECIMALS (XX) : .01 1 PLACE DECIMALS (X) :	POLAR		PASSCAL POLAR PROJECTS SOCORRO, NM 87801	
			MATERIAL:		DRAWN BY B. BONNETT	
			FINISH:		DATE 9/9/2008	
			NEXT ASSEMBLY : DWG. TYPE		DESIGNED BY B. BONNETT	
				DATE 9/9/2008		
				APPROVED BY		
				DATE		
				DATE		
				DATE		

SHEET NUMBER	2	OF	2	REV	-	SCALE	1	DRAWING NUMBER	im2720 Int Packing 1
--------------	---	----	---	-----	---	-------	---	----------------	----------------------